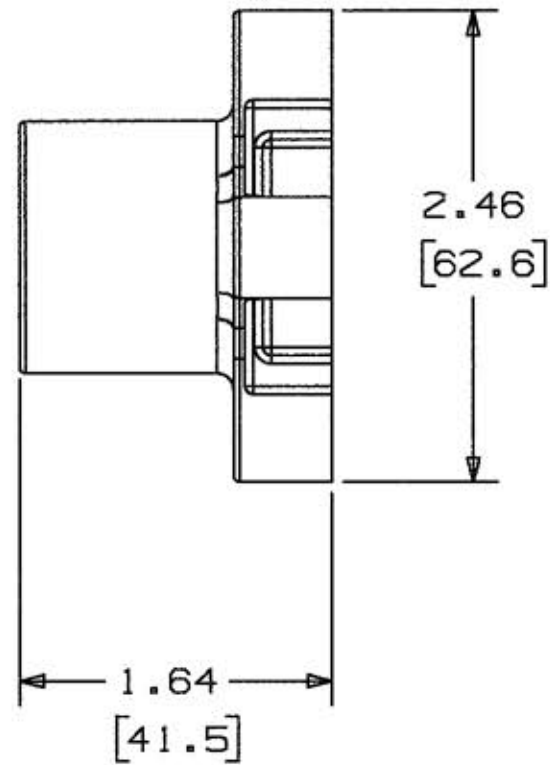
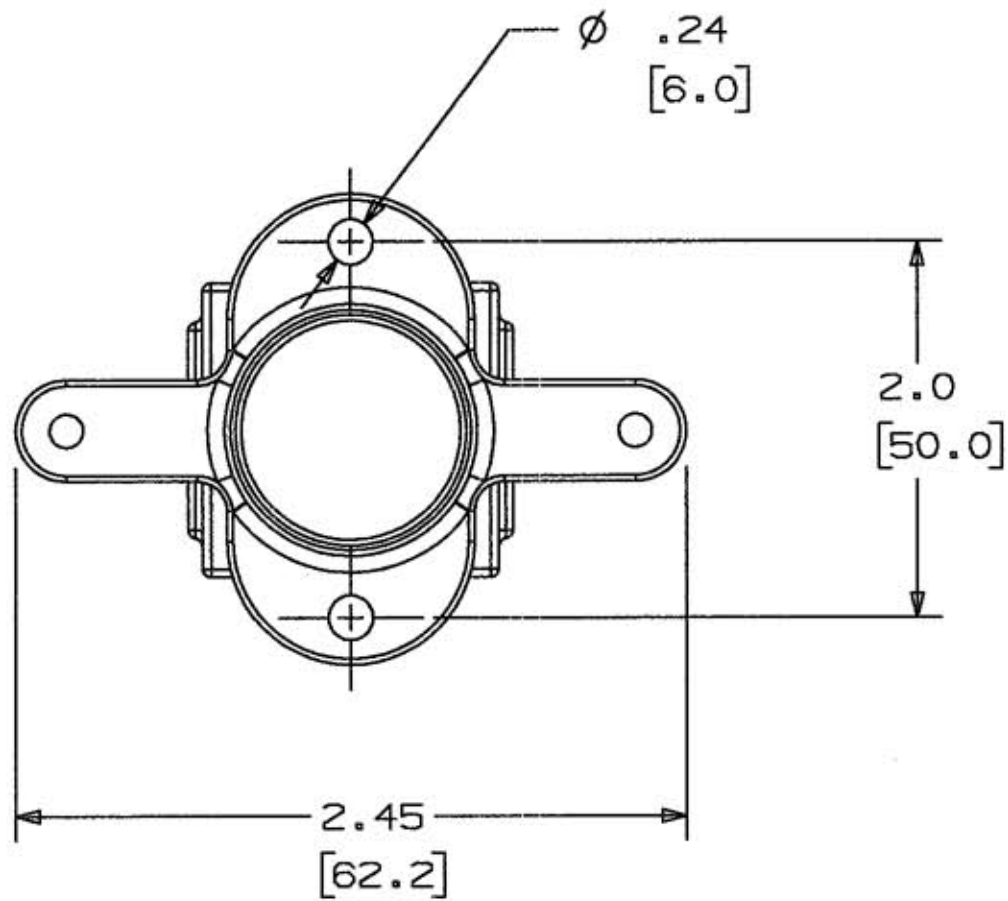


M-10158 2



NOTES:

1. INCHES [MM]

PRODUCT SPECIFICATIONS:

660W-250V
RoHS COMPLIANT
cUL LISTED

LIST OF PARTS

| DESCRIPTION | MATERIAL | FINISH |
|-------------|----------|--------|
| LAMPHOLDER | PLASTIC | |
| CONTACTS | BRASS | |
| | | |
| | | |
| | | |
| | | |
| | | |
| | | |
| | | |
| | | |
| | | |
| | | |
| | | |

DIMENSION SHEET FOR CAT. NO. RL153

REPAIRABLE NON-REPAIRABLE

| | | | |
|--|--|--|--|
| | | | |
| | | | |
| | | | |
| | | | |

| SYM | REVISIONS | APP | DATE |
|-----|--|-----|----------|
| 2 | 01/24/07 ADDED DIMENSIONS AND NOTE 1 DCN# 12957 | RDK | 01/24/07 |
| 1 | 08/21/06 RELEASED TO PRODUCTION PER DCN# 13353 | RDK | 08/21/06 |

THE DESIGN AND DIMENSIONS OF THE PRODUCT SHOWN ON THIS DRAWING ARE SUBJECT TO CHANGE WITHOUT NOTICE

TITLE
MEDIUM BASE LAMPHOLDER
PHENOLIC PONY CLEAT TYPE

| | | |
|---------------------------------------|--|---------------|
| TOLERANCES UNLESS OTHERWISE SPECIFIED | HUBBELL WIRING SYSTEMS BRIDGEPORT, CT | |
| FRACTIONS ±1/64 | DR. BY AMZ | APP. BY |
| DECIMALS ±.005 | TR. BY | SCALE NONE |
| ANGLES ±2° | CHK'D BY | DATE 05/11/06 |

M-10158 2